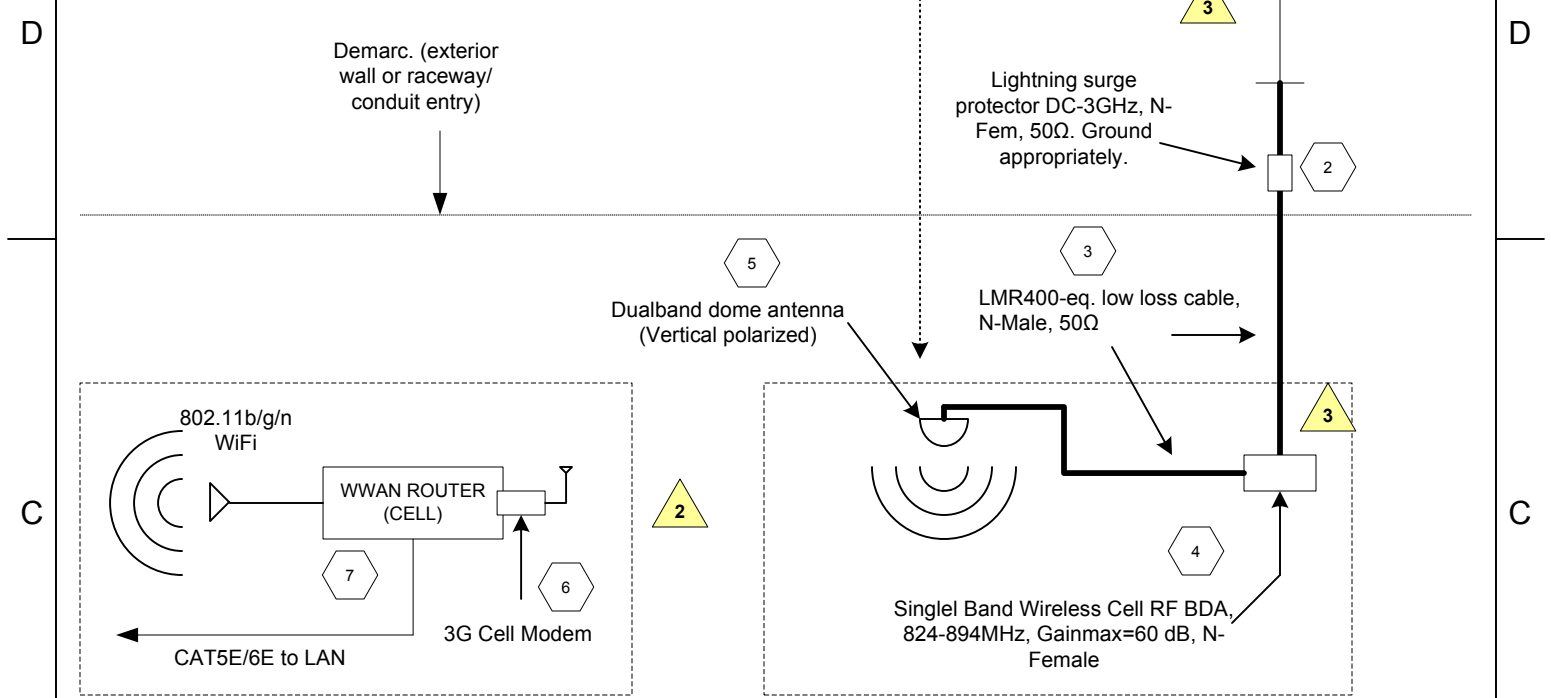


In-Building Cellular RF Bidirectional Amplifier connected to indoor dome antenna
 (800MHz cellular frequency band as shown. For 1900MHz e.g Sprint PCS see note 3 on alternates)



Bill of Materials (BOM)

ITEM	QTY.	PART NO.	DESCRIPTION
1	1	CL301129	800-900 MHz 5-Element Yagi Antenna (w/ N-Fem)
2	1	CL859902	Lightning surge protector DC-3GHz, IL<0.2dB
3	2	952310	10' LMR-400 equivalent Low loss coax, N-male, Att<0.1dB
4	1	CL801106	60dB Wireless 800MHz Amp. (N-female)
5	1	CL301121	Dualband Dome Antenna, vert pol.
6	1	CLS720	Sprint Novatel S720 EVDO RevA Modem
7	1	CLLC2-411	Proxicast LAN Cell-2 WWAN 3G Cell Router

- 1** Maintain 45-75FT max separation between outside antenna and inside antenna unless sufficient RF shielding exists
- 2** Max distance between dome and cellphone/ datacard is limited by
 - i) outside RSS
 - ii) coaxial cable length
 E.g for 10ft cables and -90dBm at outside gives ~50ft. Less if through walls!!!
- 3** For PCS 1900MHz e.g Sprint replace Item1 w/ CL301124 1900MHz Yagi antenna & Item 4 w/ CL801306 60dB 1900MHz amplifier

 1616 S. Stapley Dr. Ste 103, Mesa, AZ, 85204, U.S.A www.rfwel.com 480.218.1877	Generic WWAN, RF-BDA Conn			
	Wireless 800MHz or 1900MHz Cellular Amp & Directional Yagi Antenna outdoor roofmounted			
	DRAWN BY: RT (Engr) APPROVED BY:	SIZE AZ ROC# 253407	LIC NO DWG NO BW-00000000	REV 1A
FREQ(s): 800MHz, 1.9 GHz PCS, 2.4GHz ISM	SCALE NO SCALE	FRN: 0018086041	SHEET 1 OF 1	