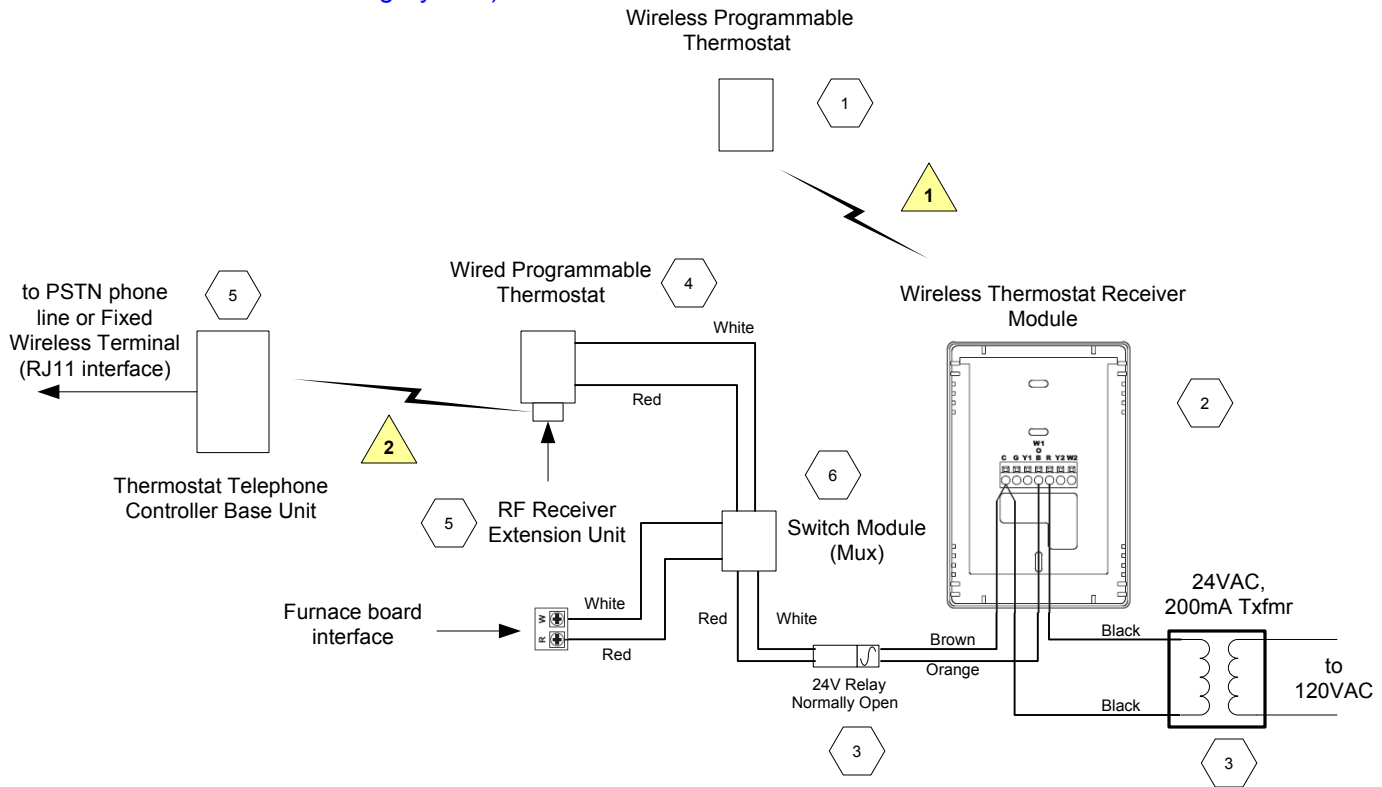


Wireless Thermostat w/ Telephone Remote Control

(Shown here for a 2-wire HVAC system such E.g Radiant Heating System)

REMARKS:

Where no PSTN phone line exists use a Fixed Cellular Terminal to interface a cellular line.
<http://www.rfwel.com/data/fixed-cellular-terminals.php>



Bill of Materials (BOM)

ITEM	QTY.	PART NO.	DESCRIPTION
1	1	P474-1100RF	Totaline Wireless Tstat or (Eq. Venstar T1100RF)
2	1	P474-1100REC	Totaline Wireless Tstat Receiver (Eq. to Venstar T1100REC)
3	1	ACC0436	Totaline/Venstar Wireless Thermostat 2-wire Kit
4	1	T1800	7-Day Programmable Digital Thermostat (Wired)
5	1	ACC0433	Totaline/ Venstar Telephone Controller. Incl. RF Module
6	1	TBD	TDB Switch or Multiplexor (Mechanical or Control using Phone)



Transmits using 418MHz PCM up to ~500ft through floors and walls. DIP switches control frequency channel to prevent co-channel interference.

1616 S. Stapley Dr. Ste 103,
 Mesa, AZ, 85204, U.S.A
www.rfwel.com | 480.218.1877

Generic Wireless Thermostat & Thermostat Remote Control

Controls Temperature Wirelessly & Remotely using TouchTone Phone.

DRAWN BY: RT (Engr)	SIZE	LIC NO	DWG NO	REV
APPROVED BY:		AZ ROC# 253407	BW-00000000	1A
FREQ(s): 418MHz	SCALE	NO SCALE	FRN: 0018086041	SHEET 1 OF 1