

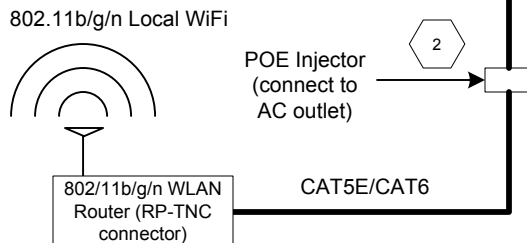
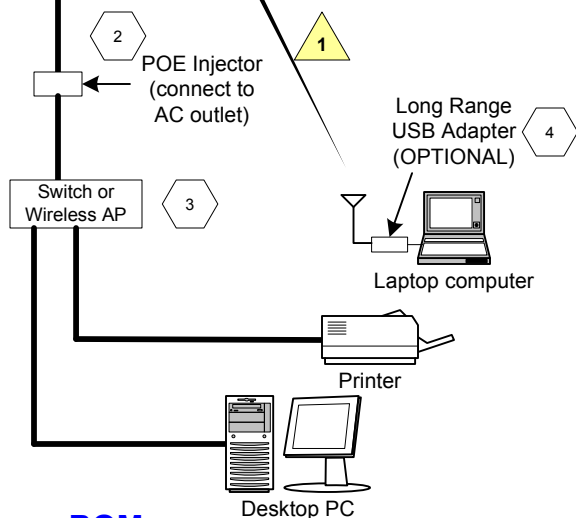
Extending Range of local WiFi using a high power bridge/ AP w/ WDS/ Repeater mode

Local Site

Remote Site

2.4 GHz 802.11b/g Wireless bridge/client, 400mW Pout, 16dBi integ'd patch antenna. Mount on 1-3" OD pole. (Put in Bridge or WDS mode)

2.4 GHz 802.11b/g Wireless bridge/client, 400mW Pout, 16dBi integ'd patch antenna. Mount on 1-3" OD pole.



BOM

| ITEM | QTY. | PART NO. | DESCRIPTION |
|------|------|-----------|--|
| 1 | 2 | EOC-3220+ | 802.11b/g bridge client/AP w/ integ'd 16dBi, 400mW |
| 2 | 2 | POExxx | POE Injector |
| 3 | 1 | CLSD205 | Linksys 5 port 10/100 Switch |
| 4 | 1 | WL44659 | Engenius EUB-362 EXT Wireless USB 2.0 Adptr |

1 Can connect directly to the remote unit if configured as a WDS. Throughput and number of concurrent clients limited in this mode. Also better suited for omni antenna if used thus

2 Range depends on number/type of obstructions. Several hundreds of feet possible. Contact us for ultra long range bridging (several miles)



1616 S. Stapley Dr. Ste 103,
Mesa, AZ, 85204, U.S.A
www.rfwel.com | 480.218.1877

Generic WAN, Wireless Bridge/ Repeater/ WDS Systems

WLAN Range Extension WDS (Wireless Distribution System) or Wireless Router Repeater Mode

DRAWN BY: RT (Engr)
APPROVED BY:

SIZE

FSCM NO

DWG NO

REV

BW-00000000

1A

FREQ(s): 2.4GHz ISM

SCALE

NO SCALE

FRN: 0018086041

SHEET

1 OF 1