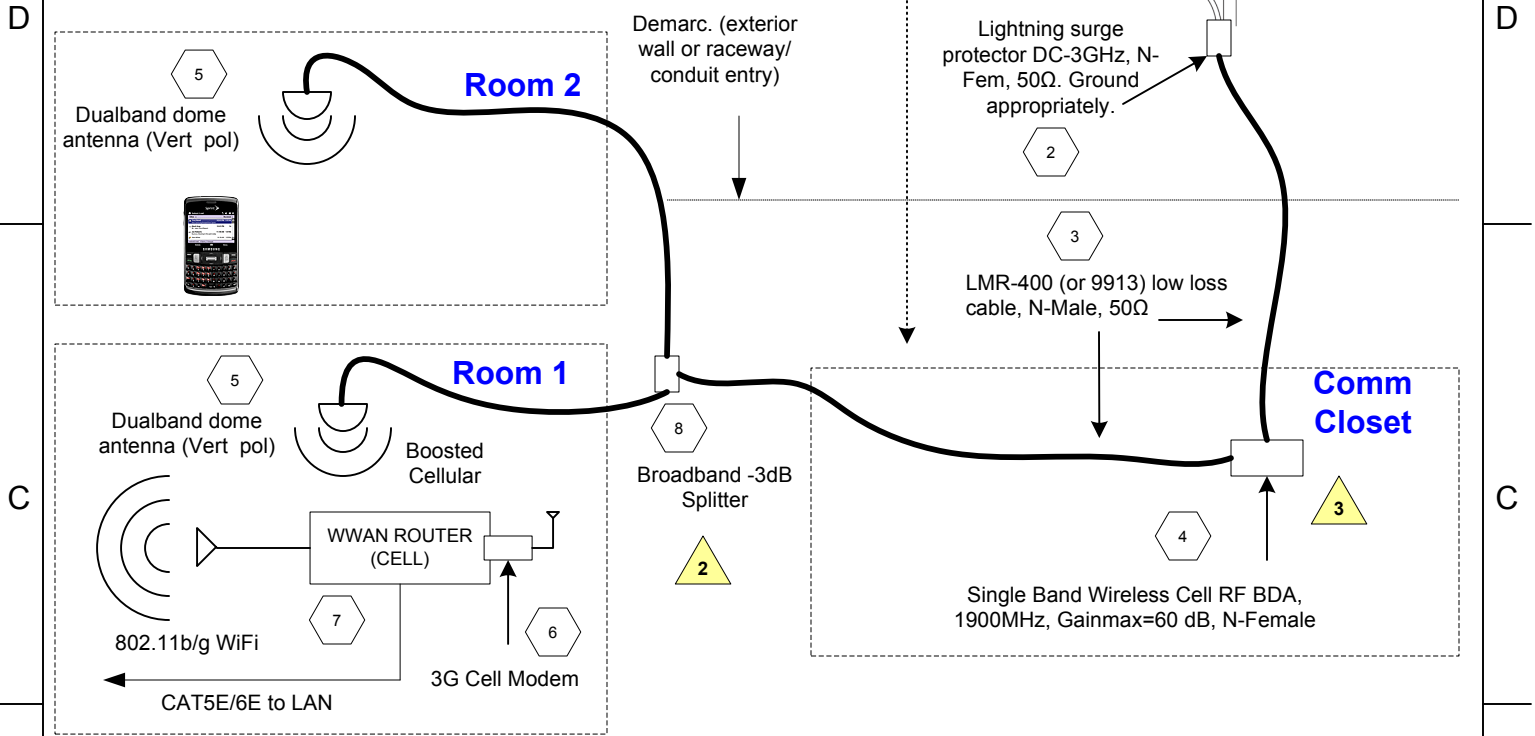


# In-Building Cellular RF Bidirectional Amplifier connected to indoor dome antennas in multiple rooms

NOTE: 1900MHz cellular frequency band shown here E.g Sprint PCS. For 800MHz see note 3 for alternates.



## Bill of Materials (BOM) - example only. Contact us for alternates.

ITEM	QTY.	PART NO.	DESCRIPTION
1	1	CL301124	14dBi 1900 MHz Yagi Antenna (w/ N-Fem)
2	1	CL859902	Lightning surge protector DC-3GHz, IL<0.2dB
3	4	CL951106	50' LMR-400 or 9913-eq. Low loss coaxial cable, N-male
4	1	CL801306	60dB Wireless 1900MHz Amp. (N-female)
5	2	CL301121	Dualband Dome Antenna, Vertical polarization
6	1	CLS720	Sprint Novatel S720 EVDO RevA Modem
7	1	CLLC2-411	Proxicast LAN Cell-2 WWAN 3G Cell Router
8	1	CL859957	Broadband 700-2300MHz -3dB Splitter/ Combiner

- 1** Maintain 45-75FT max separation between outside antenna and inside antenna unless sufficient RF shielding exists
- 2** Max distance between dome and cellphone/ datacard is limited by
  - i) outside RSS
  - ii) coaxial cable length
 E.g for 10ft cables and -90dBm at outside gives ~50ft. Less if through walls!!!
- 3** For 800MHz replace Item1 w/ CL301129 800MHz Yagi antenna & Item 4 w/ CL801106 60dB 800MHz amplifier



1616 S. Stapley Dr. Ste 103,  
Mesa, AZ, 85204, U.S.A  
www.rfwel.com | 480.218.1877

DRAWN BY: RT (Engr)  
APPROVED BY:

FREQ(s): 800MHz, 1.9 GHz PCS, 2.4GHz ISM

In-Building High Gain Cellular Band RF Bi-Directional Amplifier for Multiple Room Coverage

Wireless Sprint PCS 1900MHz Cellular Amp & Directional Yagi Antenna outdoor roofmounted (may need attenuators if signal too strong)

SIZE	LIC NO	DWG NO	REV
	AZ ROC# 253407	BW-00000000	2A
SCALE	NO SCALE	FRN: 0018086041	SHEET 1 OF 1